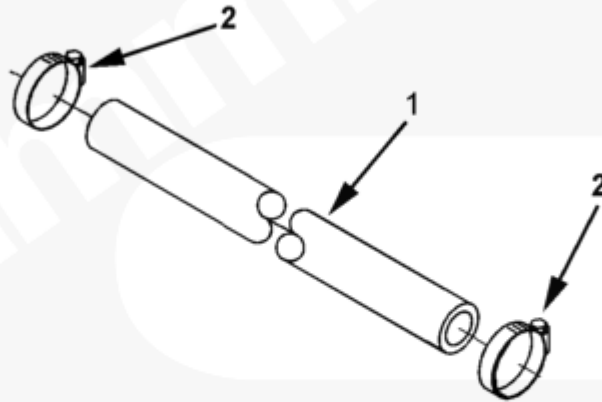




# Parts Catalog - Option Detail

Electronic Parts Catalog - Option Detail				
Option	Group	Graphic	Film Card	Date
BR2726-02	03.02	br200gl	II	18-SEP-01
<b>Engines</b>	ISM CM570, ISM CM570/870, ISM CM875, ISM CM876, ISM CM876 E, ISM11 CM876 M103, ISM11 CM876 SN, M11 CELECT, M11 CELECT PLUS, M11 MECHANICAL, QSM11 CM570, QSM11 CM876			

©Cummins Inc



**br200gl**

[SMALL](#) | [MEDIUM](#) | [LARGE](#)

Cart	Ref No	Part Number	Part Description	Required	Remarks
<input type="button" value="View My Cart"/>					
		<a href="#">BR2726-02</a>	Crankcase Breather		
					Crankcase Breather
					Crankcase Breather Plumbing
					Mtg Arrangement: Internal

					Vent Location: Side
					Vent Tube Routing: Customer
					Supplied
					Breather System: Closed
					Breather Tube for Connection
					to Closed Crankcase Breather
					System
<input type="checkbox"/>	1	<a href="#">4078592</a>	Plain Hose	1	
<input type="checkbox"/>	2	<a href="#">3922844</a>	Hose Clamp	2	9/16 - 1 3/8 inch

© 2019 Cummins Inc., Box 3005, Columbus, IN 47202-3005 U.S.A.  
Terms of Use and Disclaimers | Recommended System Requirements  
Need Assistance? Please click on the Contact Us button in the top right corner of any page.